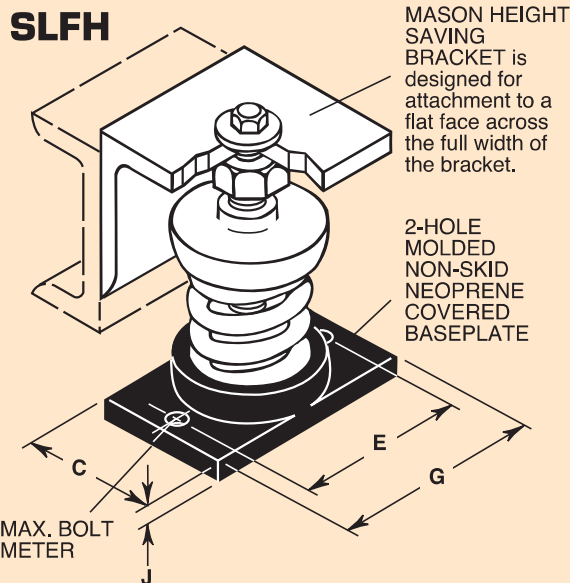
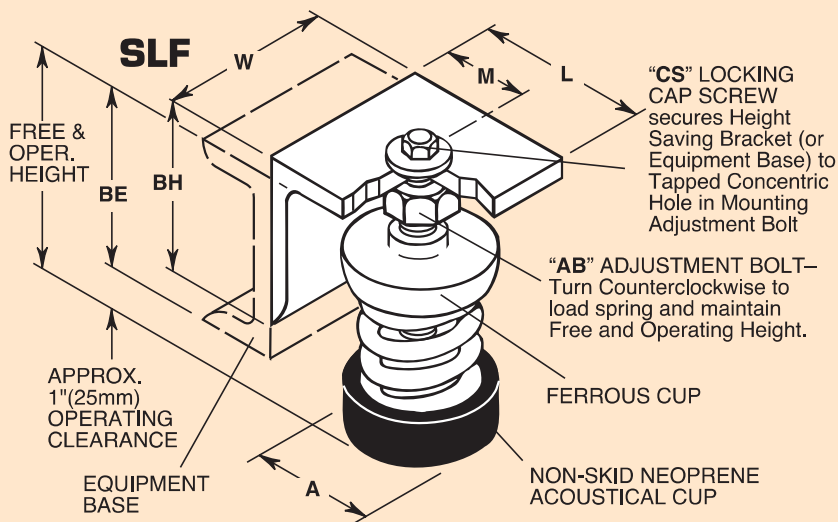


**1" (25mm) Deflection  
SLF SINGLE SPRING MOUNTS**

*Change designation to SLFH when  
base plate with bolt holes is required.*



**Matching Height Saving Bracket** BH- Bracket Height BE- Bracket Elevation

Type	Size	L (in) (mm)	M (in) (mm)	W (in) (mm)	BE (in) (mm)	BH (in) (mm)
SLF-	X	2 1/2 64	2 51	3 76	2 3/4 70	2 1/2 64
	A-45 – A-400	2 1/2 64	2 51	3 76	3 1/4 83	2 1/2 64
SLFH-	A-510 – A-625	2 1/2 64	2 51	3 76	3 5/8 92	2 1/2 64
	B & C	4 102	2 3/4 70	3 76	5 127	4 102

All springs have additional travel to solid equal to 50% of the rated deflection.

Solid Spring Height = Free Height minus 1.5 times Rated Deflection.

**Ratings & Dimensions for 1" (25mm) Deflection Single Spring Mounts (inches millimeters)**

Type	Size	Rated Capacity (lbs) (kg)	Rated Defl. (in) (mm)	Spring Constant (lbs/in)(kg/mm)	Spring Color	Spring Only Spring Free OD Height	Free & Oper Ht	A	C	E	G	Max. Bolt Dia. H	J	Adjust- ment Bolt AB	Locking Cap Screw CS	
SLF-	X-23†	23 10	1.50 38	18 0.26	Brown											
	X-33†	33 15	1.30 33	30 0.45	Red											
	X-54†	54 24	1.40 36	45 0.67	White											
	X-76†	76 34	1.22 31	73 1.10	Black	1 1/2 21 1/2	33/4 95	2 51	-	-	-	-	-	1/2 x 21/2	1/4 x 1	
	X-113†	113 51	1.20 30	113 1.70	Yellow	38 64	95 51	-	-	-	-	-	-	x 64	x 25	
	X-130†	130 59	1.20 30	130 1.97	Purple											
	X-175†	175 79	1.20 30	175 2.63	Silver											
	X-210†	210 95	1.20 30	210 3.17	Blue											
SLFH-	A-45	45 20	1.60 41	28 0.49	Blue											
	A-75	75 34	1.50 38	50 0.89	Orange											
	A-125	125 57	1.33 34	94 1.68	Brown	1 3/4 44	3 76	4 1/4 108	2 1/8 54	2 1/4 57	3 76	3 3/4 95	1/4 6	3/8 10	5/8 x 21/2	3/8 x 1
	A-200	200 91	1.15 29	174 3.14	Black											
	A-310	310 141	1.00 25	310 5.64	Yellow											
	A-400	400 181	1.00 25	400 7.24	Green											
SLFH-	A-510	510 231	1.00 25	510 9.24	Red	1 3/4 44	3 1/8 79	4 5/8 117	2 1/8 54	2 1/4 57	3 76	3 3/4 95	1/4 6	3/8 10	5/8 x 21/2	3/8 x 1
	A-625	625 283	1.00 25	625 11.32	White	1 3/4 44	3 3/8 86	4 5/8 117	2 1/8 54	2 1/4 57	3 76	3 3/4 95	1/4 6	3/8 10	5/8 x 21/2	3/8 x 1
	B-65	65 29	2.10 53	31 0.55	Brown											
	B-85	85 39	2.10 53	40 0.74	White††											
	B-115	115 52	2.00 51	57 1.02	Silver											
	B-150	150 68	2.00 51	75 1.33	Orange	2 3/8 60	4 102	6 152	2 3/4 70	2 7/8 73	4 1/8 105	5 3/8 137	1/2 13	3/8 10	7/8 x 41/4	1/2 x 1 1/4
	B-280	280 127	1.60 41	174 3.10	Green											
	B-450	450 204	1.31 33	344 6.18	Red											
B-750	750 340	1.12 28	670 12.14	White												
B-1000	1000 454	1.00 25	1000 18.16	Blue												
SLFH-	C-1000	1000 454	1.00 25	1000 18.16	Black											
	C-1350	1350 612	1.00 25	1350 24.48	Yellow											
	C-1750	1750 794	1.00 25	1750 31.76	Black*											
	C-2100	2100 953	1.00 25	2100 38.12	Yellow*	2 7/8 73	4 105	6 152	3 1/4 83	3 3/8 86	4 3/4 121	6 1/8 156	1/2 13	3/8 10	7/8 x 41/4	1/2 x 1 1/4
	C-2385	2385 1082	1.00 25	2385 43.28	Yellow**											
	C-2650	2650 1202	1.00 25	2650 48.08	Red*											
C-2935	2935 1331	1.00 25	2935 53.24	Red**												

4 †SLFH not available ††with BLACK stripe \*with RED inner spring \*\*with GREEN inner spring

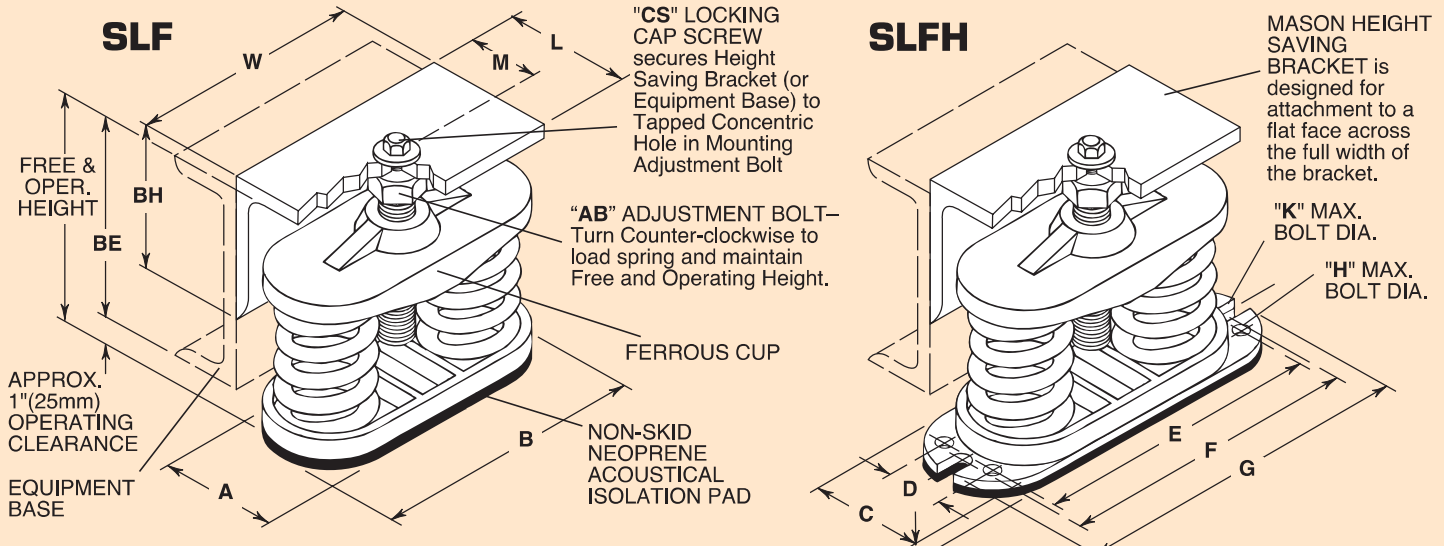
**1"(25mm) Deflection  
SLF MULTIPLE SPRING MOUNTS**

*Change designation to SLFH when  
base plate with bolt holes is required.*

All springs have additional travel to solid equal to 50% of the rated deflection.

Solid Spring Height = Free Height minus 1.5 times Rated Deflection.

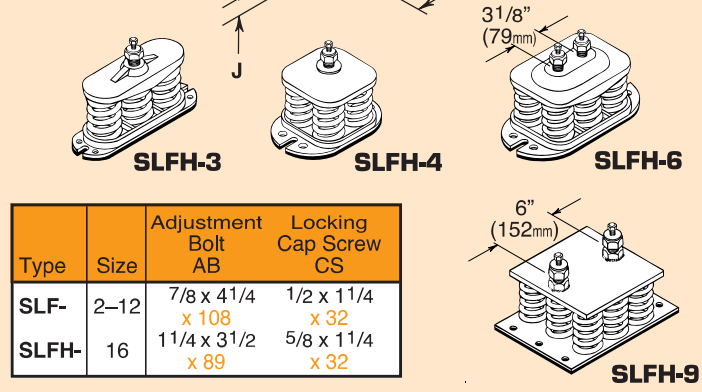
Multiple spring mounts have C size springs. SLF-2, SLF-3, SLF-4, SLF-6, SLF-9, SLF-12 & SLF-16 have 2, 3, 4, 6, 9, 12 & 16 springs respectively.



**Matching Height Saving Bracket**

BH- Bracket Height  
BE- Bracket Elevation

Type	Size	L (in) (mm)	M (in) (mm)	W (in) (mm)	BE (in) (mm)	BH (in) (mm)	
SLF-	2	4 102	2 1/2 64	6 152	5 127	4 102	
	3	4 102	2 1/2 64	7 178	5 127	4 102	
	4	6 152	4 102	8 1/2 216	5 127	6 152	
	6	7 178	5 127	11 3/4 298	5 127	7 178	
SLFH-	9	8 203	5 1/2 140	11 3/4 298	5 1/4 133	7 178	
	12	Mounts have 2 adjustment bolts and special brackets are required.					
	16	Mounts have 2 adjustment bolts and special brackets are required.					



Type	Size	Adjustment Bolt AB	Locking Cap Screw CS
SLF-	2-12	7/8 x 4 1/4 x 108	1/2 x 11/4 x 32
SLFH-	16	1 1/4 x 3 1/2 x 89	5/8 x 11/4 x 32

**Ratings & Dimensions for 1"(25mm) Deflection Single Spring Mounts (inches millimeters)**

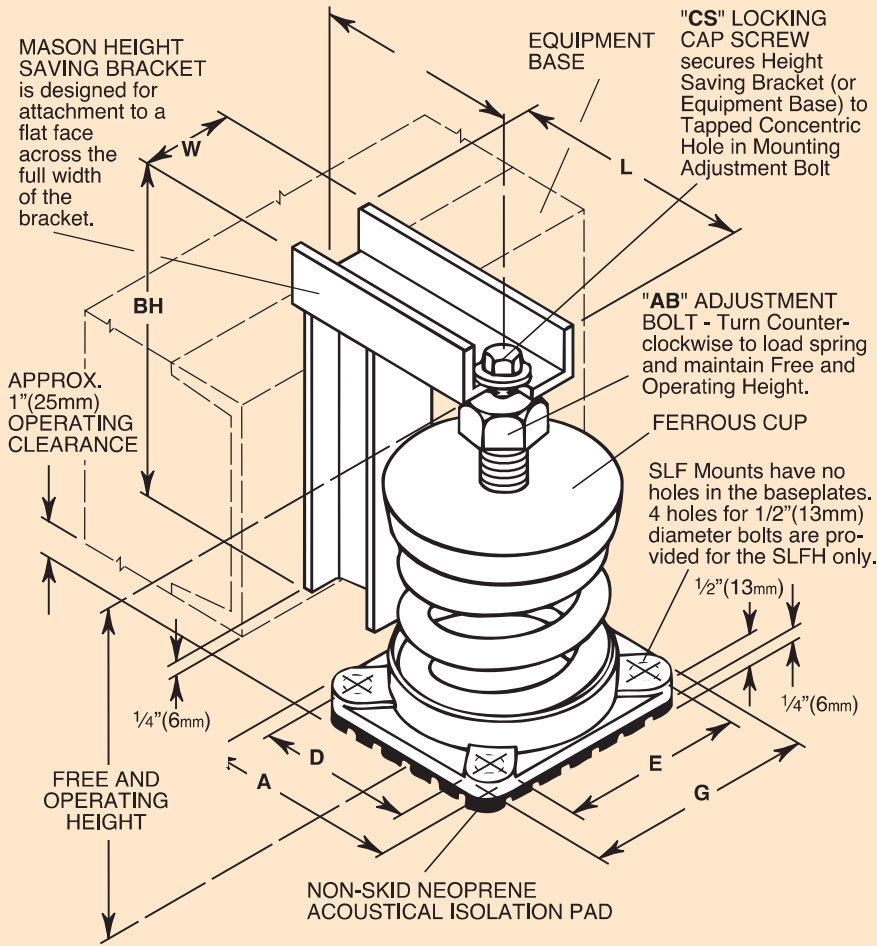
Type	Size	Rated Capacity (lbs) (kg)		Rated Defl. (in) (mm)		Spring Constant (lbs/in)(kg/mm)		Spring Color/Stripe	Spring Only		Free & Oper Ht	Hole Max. Bolt Dia. Slot Max. Bolt Dia.										
		Spring OD	Free Height	A	B	C	D		E	F		G	H	J	K							
SLF-	2-2700	2700	1225	1.00	25	2700	49.00	Yellow	27/8	41/8	6	31/4	73/4	31/4	13/4	81/4	81/2	10	5/16	1/2	3/8	
	2-3500	3500	1588	1.00	25	3500	63.52	Black*	73	105	152	83	197	83	44	210	216	254	8	13	10	
	2-4200	4200	1905	1.00	25	4200	76.20	Yellow*														
	3-5250	5250	2381	1.00	25	5250	95.24	Black*														
	3-6300	6300	2858	1.00	25	6300	114.32	Yellow*	27/8	41/8	6	33/8	91/2	33/8	13/4	10	101/4	113/4	5/16	1/2	3/8	
	3-7155	7155	3245	1.00	25	7155	129.80	Yellow**	73	105	152	86	241	86	44	254	260	298	8	13	10	
3-7950	7950	3606	1.00	25	7950	144.24	Red*															
SLFH-	4-5400	5400	2449	1.00	25	5400	97.96	Yellow	27/8	41/8	6	61/4	61/4	61/4	21/4	71/2	71/2	93/8	1/2	1/2	1/2	
	4-7000	7000	3175	1.00	25	7000	127.00	Black*	73	105	152	159	159	159	57	191	191	238	13	13	13	
	4-8400	8400	3810	1.00	25	8400	152.40	Yellow*														
	6-12600	12600	5715	1.00	25	12600	228.60	Yellow*														
	6-14310	14310	6491	1.00	25	14310	259.64	Yellow**	27/8	41/8	6	63/8	91/2	63/8	21/4	103/4	103/4	125/8	1/2	1/2	1/2	
	6-15900	15900	7212	1.00	25	15900	288.48	Red*	73	105	152	161	241	161	57	273	273	321	13	13	13	
6-17610	17610	7988	1.00	25	17610	319.52	Red**															
SLFH-	9-18900	18900	8573	1.00	25	18900	342.92	Yellow*	27/8	41/8	7	9	9	9	6	11	—	121/2	1/2	1/2	—	
	9-21465	21465	9736	1.00	25	21465	389.44	Yellow**	73	105	178	229	229	229	152	279	—	318	13	13	—	
	9-23850	23850	10818	1.00	25	23850	432.72	Red*														
	12-25200	25200	11431	1.00	25	25200	457.24	Yellow*														
	12-28620	28620	12982	1.00	25	28620	519.28	Yellow**	27/8	41/8	7	9	12	9	6	14	—	151/2	1/2	1/2	—	
	12-31800	31800	14424	1.00	25	31800	576.96	Red*	73	105	178	229	305	229	152	356	—	394	13	13	—	
SLFH-	16-33600	33600	15241	1.00	25	33600	609.64	Yellow*	27/8	41/8	8	12	13	12	6	15	—	161/2	1/2	1/2	—	
	16-38160	38160	17309	1.00	25	38160	692.36	Yellow**	73	105	203	305	330	305	152	381	—	419	13	13	—	

\*with RED inner spring \*\*with GREEN inner spring

Mounts in gray area have steel holders top and bottom.

## 2"(51mm), 3"(78mm), 4"(102mm) & 5"(127mm) Deflection 100 Series SLF SPRING MOUNTS

Change designation to SLFH when base plate with bolt holes is required.



All springs have additional travel to solid equal to 50% of the rated deflection.  
 Solid Spring Height = Free Height minus 1.5 times Rated Deflection.

### Matching Height Saving Bracket

BE- Bracket Elevation

Type	Size	L (in) (mm)	M (in) (mm)	W (in) (mm)	BH (in) (mm)	
2" 51mm Defl.	101-107	6 152	5 127	3 76	9 229	
	108	7 1/2 191	6 1/2 165	3 76	10 3/4 273	
	109	7 1/2 191	6 1/2 165	3 76	10 3/4 273	
	110	8 1/4 210	7 1/4 184	4 102	11 3/4 298	
	111	8 1/4 210	7 1/4 184	4 102	11 3/4 298	
	112	8 1/4 210	7 1/4 184	4 102	12 1/4 311	
	113	12 305	10 1/2 267	6 152	14 3/4 375	
	114	12 305	10 1/2 267	6 152	16 3/8 416	
	115	12 305	10 1/2 267	6 152	16 3/8 416	
	116	12 1/2 318	11 279	6 152	17 1/2 445	
117	Mounts have special adjustment bolts and brackets as required.					
118	Mounts have special adjustment bolts and brackets as required.					
3" 76mm Defl.	126-130	7 1/2 191	6 1/2 165	3 76	10 1/4 260	
	131	7 1/2 191	6 1/2 165	3 76	10 3/4 273	
	132	8 1/4 210	7 1/4 184	4 102	11 3/4 298	
	133-137	8 3/4 222	7 3/4 197	4 102	14 356	
	138-139	12 1/2 318	11 279	6 152	17 1/2 445	
	140	13 330	11 1/2 292	6 1/2 152	21 1/2 546	
	141-143	Mounts have special adjustment bolts and brackets as required.				
	143	Mounts have special adjustment bolts and brackets as required.				
4" 102mm Defl.	150-153	7 178	6 152	4 102	11 3/8 289	
	154-155	8 1/4 210	7 1/4 184	3 76	12 1/2 318	
	156-158	8 1/4 210	7 1/4 184	3 76	13 1/8 333	
	159	8 1/4 210	7 1/4 184	3 76	14 1/8 359	
	160-162	11 279	9 1/2 241	4 102	17 3/8 441	
	163-165	14 356	12 1/2 318	6 152	21 3/8 543	
	166-167	14 1/2 368	13 330	6 1/2 165	24 1/4 616	
	168-169	Alternate brackets as required. (See page 8)				
	169	Alternate brackets as required. (See page 8)				
	5" 127mm Defl.	174-198	Matching Height Saving Bracket as shown in illustration on page 6. Pulldown Brackets or three Adjustment Bolts are designed for each special application as required. (See page 8)			
198		Matching Height Saving Bracket as shown in illustration on page 6. Pulldown Brackets or three Adjustment Bolts are designed for each special application as required. (See page 8)				

### Ratings & Dimensions for 2"(51mm) Deflection 100 Series Spring Mounts (inches mm)

Type	Size	Rated Capacity (lbs) (kg)	Rated Defl. (in) (mm)	Mount Constant (lbs/in) (kg/mm)	Spring Color/Stripe	Spring Only				Free & Oper Ht	Adjustment Bolt				Locking Cap Screw CS
						Spring OD	Free Height	A	D		E	G	AB	CS	
2" 51mm Defl.	101	125 57	2.50 64	50 0.89	Purple	33/4 95	53/4 146								
	102	200 91	2.50 64	80 1.42	Brown	33/4 95	53/4 146								
	103	310 141	2.50 64	125 2.20	Pink	33/4 95	53/4 146								
	104	500 227	2.50 64	200 3.55	Green	33/4 95	53/4 146	7 1/4 184	4 1/4 108	3 1/4 83	4 102	4 3/4 120	7/8x53/4	1/2x11/4	
	105	740 336	2.40 61	310 5.51	Red	33/4 95	53/4 146						x 146	x 34	
	106	1050 476	2.10 53	500 8.98	White	33/4 95	57/8 149								
	107	1400 635	2.00 51	700 12.45	Blue	33/4 95	57/8 149								
SLF-	108	1660 753	2.05 52	810 14.48	Silver	4 1/2 114	6 3/4 171	8 203	5 127	4 102	4 1/4 108	5 1/4 133	7/8x53/4	1/2x11/4	
	109	2250 1021	2.00 51	1125 20.02	Orange	4 1/2 114	7 1/2 191	9 229	5 127	4 102	4 1/4 108	5 1/4 133	x 146	x 34	
	110	3000 1361	2.00 51	1500 26.69	Gray	5 127	7 1/2 191	9 229	5 1/2 140	4 1/4 108	5 1/4 133	6 1/2 165			
	111	4000 1814	2.00 51	2000 35.57	Tan	5 127	7 1/2 191	9 229	5 1/2 140	4 1/4 108	5 1/4 133	6 1/2 165			
SLFH-	112	5300 2404	2.00 51	2665 47.14	Black	5 1/2 140	8 1/2 216	10 254	6 152	4 3/4 121	5 3/4 146	7 178			
	113	7100 3221	2.00 51	3550 63.16	Yellow	6 152	8 3/4 222	10 1/2 267	6 5/8 168	5 1/4 133	6 152	7 1/2 191	1 x 6	1/2 x 11/4	
	114	9300 4218	2.00 51	4650 82.71	Blue/Orng	6 3/4 171	10 254	12 305	7 1/2 191	6 1/4 159	6 1/4 159	7 1/2 191	x 152	x 34	
	115	12600 5715	2.00 51	6300 112.06	Blue/Red	6 3/4 171	10 254	12 305	7 1/2 191	6 1/4 159	6 1/4 159	7 1/2 191			
	116	16800 7620	2.00 51	8400 149.41	Blue/White	7 3/4 197	10 1/8 257	13 330	8 1/2 216	7 1/4 184	7 1/4 184	8 1/2 216	11/4x8	5/8x11/2	
	117	28500 12927	2.55 65	11175 198.88	Blue/Silver	8 3/4 222	13 1/8 333	16 406	9 1/2 241	8 1/2 216	8 1/2 216	9 1/2 241	1 1/2x8	x 38	
	118	40000 18144	2.10 53	19000 342.34	Blue/Gray	9 3/8 238	13 1/8 333	16 406	10 1/2 267	9 1/2 241	9 1/2 241	10 1/2 267	1 3/4x8	x 203	

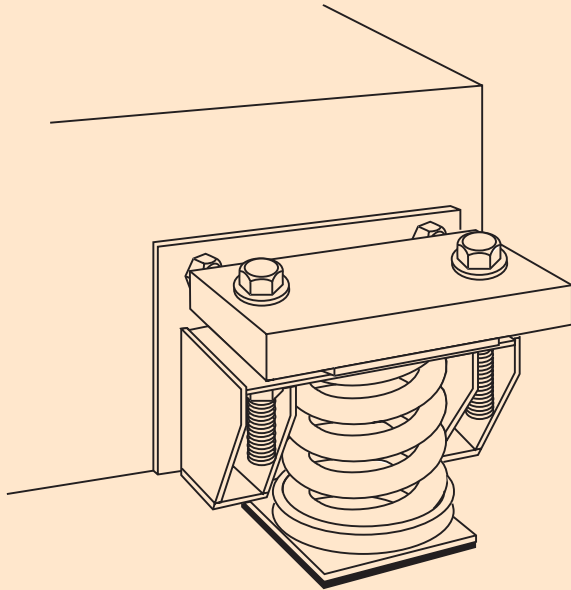
Mounts in gray area have steel holders top and bottom.



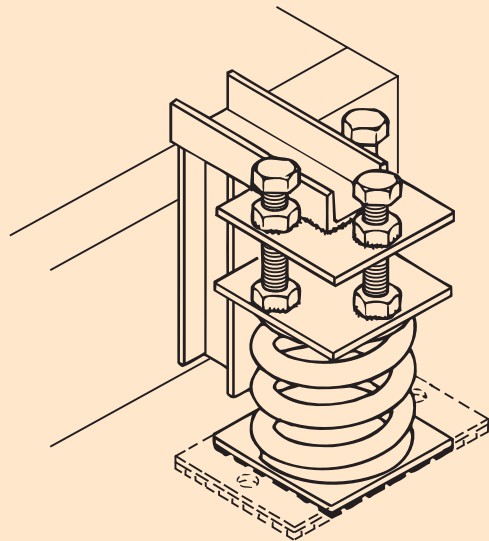


Alternate bracket and spring adjustment methods to improve stability and appearance when using 4" (102mm), 5" (127mm) and greater deflection springs.

**PULL-DOWN BRACKET**



**3 ADJUSTMENT BOLTS**



**SPRING CHARACTERISTICS**

Spring Size	Rated Deflection	Ratio Kx/Ky	Ratio OD/OH	Spring Size	Rated Deflection	Ratio Kx/Ky	Ratio OD/OH
X	1.00-1.30	0.75-1.00	0.92-1.40	101-118	2.00-2.55	0.71-1.10	0.82-1.15
A	1.00-1.60	0.50-0.90	0.74-1.25	126-143	3.25	0.72-1.00	0.85-1.36
B	1.00-2.10	0.70-0.90	0.80-1.25	150-169	4.38	0.80-1.10	0.85-1.33
C & Multiples	1.00	0.90-1.10	0.92	174-198	5.27-5.38	0.70-1.00	0.92-1.31

**PRODUCT FINISHES**

All standard products have a painted finish unless otherwise indicated.

Special finishes include:

- Zinc Chromate
- Neoprene Dipping
- Cold Galvanized Paint
- Epoxy Finish
- Hot Dipped Galvanized Holders with Electro-Galvanized or Cadmium Plated Hardware, depending on size and method of attachment. Springs in these holders will be made rust resistant.



**MASON INDUSTRIES, INC.**

350 Rabro Drive, Hauppauge, NY 11788 • 631/348-0282 • FAX 631/348-0279  
 2101 W. Crescent Ave., Suite D • Anaheim, CA 92801 • 714/535-2727 • FAX 714/535-5738  
 Email info@Mason-Ind.com or info@MasonAnaheim.com • Website www.Mason-Ind.com