

IM 2”(51mm) DEFLECTION B, B2, C2 & MULTIPLE C2 SIMPLE SPRING HANGERS

Ratings & Dimensions for 2”(51mm) Deflection Simple Spring Hangers (inches mm)

Type	Size	Rated Capacity (lbs) (kg)	Rated Defl. (in) (mm)	Spring Constant (lbs/in) (kg/mm)	Spring Color/Stripe	Spring Only		Bushing Outside Dia. BOD	Cup Outside Dia. COD	Max. Rod Dia MRD	Rod Penetration RP
						Spring OD	Free Height				
2” 51mm Defl.	B-20	20 9	2.40 61	8 0.15	Tan	23/8 60	4 102	17/8 48	31/8 79	3/4 19	47/8 124
	B-26	26 12	2.18 55	12 0.22	White/Blue						
	B-35	35 16	2.20 56	16 0.29	Purple						
	B-50	50 23	2.20 56	24 0.41	White/Red						
	B-65	65 29	2.10 53	31 0.55	Brown						
	B-85	85 39	2.10 53	40 0.74	White/Black						
	B-115	115 52	2.00 51	57 1.02	Silver						
	B-150	150 68	2.00 51	75 1.33	Orange						
	B2-210	210 95	2.12 54	99 1.76	Silver						
	B2-290	290 132	2.00 51	144 2.59	Blue						
IM-	B2-450†	450 204	2.00 51	224 4.00	Tan	23/8 60	41/2 114	17/8 48	31/8 79	3/4 19	53/8 137
	B2-680†	680 308	2.00 51	340 6.04	Gray						
	C2-125	125 57	2.50 64	50 0.89	Purple						
	C2-170	170 77	2.40 61	70 1.26	Brown						
	C2-210	210 95	2.30 58	90 1.64	Red						
	C2-260	260 118	2.20 56	120 2.11	White						
	C2-330	330 150	2.00 51	165 2.94	Black						
	C2-460	460 209	2.00 51	230 4.10	Blue						
	C2-610	610 277	2.00 51	305 5.43	Green						
	C2-880†	880 399	2.00 51	440 7.83	Gray						
C2-1210†	1210 549	2.00 51	605 10.76	Silver							
C2-1540†	1540 699	2.00 51	770 13.71	Gray*							
C2-1870†	1870 848	2.00 51	935 16.63	Silver*							

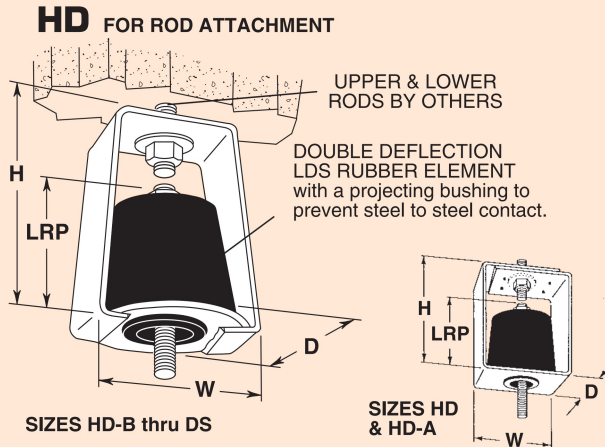
†Published ratings allow minimum 25% additional travel to solid. For a full 50% specified minimum use the following ratings:

Size	Derated Capacity (lbs)	Defl. (in)
B2-450	410	1.83
B2-680	565	1.66
C2-880	800	1.82
C2-1210	1010	1.67
C2-1540	1285	1.67
C2-1870	1560	1.67

Size	Derated Capacity (kg)	Defl. (mm)
B2-450	186	46
B2-680	256	42
C2-880	363	46
C2-1210	458	42
C2-1540	583	42
C2-1870	708	42

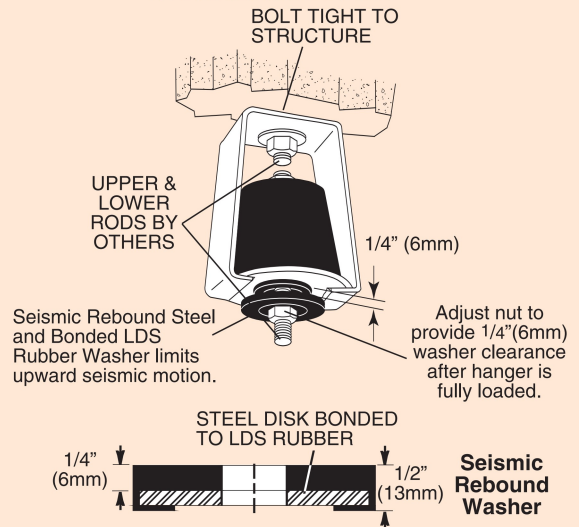
All springs without “†” have additional travel to solid equal to 50% of Rated Deflection. *with Red inner spring

DOUBLE DEFLECTION LDS HANGERS



RWHD

TYPE HD SEISMIC RESTRAINT



Ratings & Dimensions for LDS Hangers (inches mm)

Type	Size (Color Mark)	Duro-meter	Rated Capacity Range (lbs) (mm)	Max Rated Defl (in) (mm)	D	H	W	Lower Rod Penetration LRP	Max. Rod Dia. MRD	Vertical G Ratings	Com-pression		
HD-	Green	40	Up to 35	Up to 16	13/4 44	21/4 57	17/8 48	11/4 32	3/8 10	10.0*	10.0*		
	White	60	35-75	16-34								0.20	5
	A-Black	30	Up to 45	Up to 20	2	23/4 70	21/4 57	21/4 57	1/2 13	10.0*	10.0*		
	A-Green	40	30-75	14-34								0.35	9
A-Red	50	60-125	27-57	0.35								9	
RWHD-	B-Red	50	Up to 235	Up to 107	31/4 83	41/2 114	41/4 108	3	3/4 19	10.0*	10.0*		
	B-White	60	180-380	82-172								0.40	10
	B-Yellow	70	320-650	145-295								0.40	10
	BS-Blue	70	500-1000	227-454	31/4 83	41/2 114	41/4 108	3	3/4 19	10.0*	2.3		
	CS-Blue	70	1000-2100	454-953								0.40	10
	DS-Blue	70	2100-4200	953-1905								0.40	10
					4	61/4 159	43/4 121	31/4 83	7/8 22	5.0	1.0		

†includes double deflection LDS element. Hanger elements have straight line deflection curves. *10.0 indicates a rating of 10 G's or greater.