



MASON INDUSTRIES, Inc.

Manufacturers of Vibration Control Products

350 Rabro Drive
Hauppauge, NY 11788
631/348-0282
FAX 631/348-0279
Info@Mason-Ind.com
www.Mason-Ind.com

2101 W. Crescent Ave., Suite D
Anaheim, CA 92801
714/535-2727
FAX 714/535-5738
Info@MasonAnaheim.com
www.MasonAnaheim.com

**BOLT ISOLATION
WASHER BUSHINGS**

HG

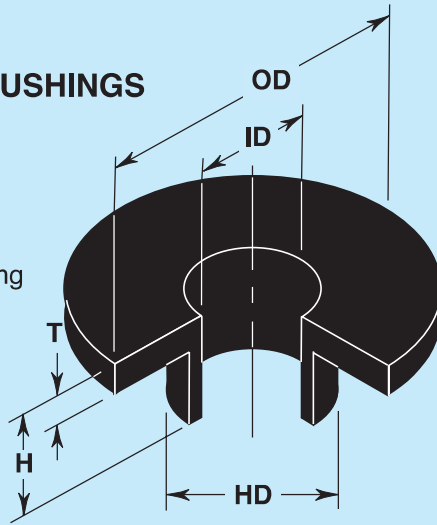
**HANGER MOUNT
ISOLATED BUSHING**

HMIB

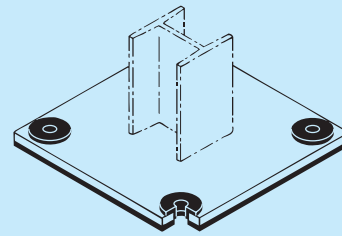
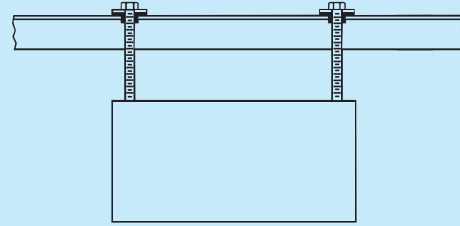
DATA SHEET DS-405-3A

HG WASHER-BUSHINGS

Material:
Bridge-Bearing
Neoprene



Acoustical Separation



**Bolt Isolator and
Seismic Cushion**

BRIDGE-BEARING NEOPRENE SPECIFICATIONS

ORIGINAL PHYSICAL PROPERTIES		TESTED FOR AGING				COMPRES-	
(a) Duro-	(b) Tensile	(b) Elongat.	(c) OVEN AGING (70h/212°F)	(c) Tensile	(d) OZONE	SION SET	
meter	Strength	at Break	Hard-	Strength	1 ppm in air	(e)	
(min)	(min)	(max)	ness	at Break	by Vol.20%	150F(66°C)	
			(max)	(max)	Strain	Method B	
40±5	2000 psi	140 kg/cm ²	450%	+15% ±15%	-40%	No Cracks	30%(max)
50±5	2500 psi	176 kg/cm ²	400%	+15% ±15%	-40%	No Cracks	25%(max)
60±5	2500 psi	176 kg/cm ²	350%	+15% ±15%	-40%	No Cracks	25%(max)

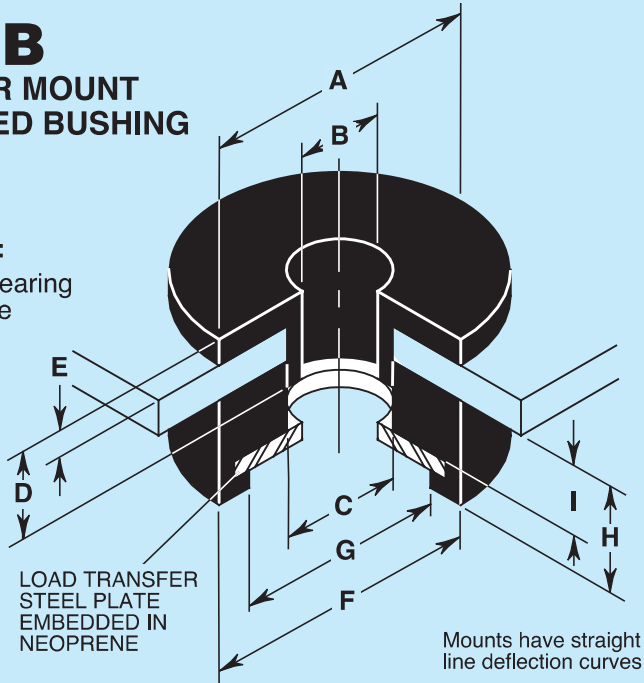
(a)ASTM D-676 (b)ASTM D-412 (c)ASTM D-573 (d)ASTM D-1149 (e)ASTM D-395

TYPE HG DIMENSIONS (inches mm)

	Bolt Dia.	ID	HD	OD	T	H
HG-25	1/4 6	1/4 6	1/2 13	1 25	1/8 3	3/8 10
HG-38	3/8 10	3/8 10	5/8 16	1 1/4 32	1/8 3	1/2 13
HG-50	1/2 13	1/2 13	3/4 19	1 5/8 41	1/8 3	1/2 13
HG-63	5/8 16	5/8 16	7/8 22	2 51	3/16 5	5/8 16
HG-75	3/4 19	3/4 19	1 25	2 1/4 57	3/16 5	5/8 16
HG-100	1 25	1 25	1 1/4 32	2 3/4 70	1/4 6	7/8 22
HG-125	1 1/4 32	1 1/4 32	1 1/2 38	3 1/4 83	1/4 6	7/8 22
HG-150	1 1/2 38	1 1/2 38	1 3/4 45	3 3/4 95	1/4 6	1 25

HMIB HANGER MOUNT ISOLATED BUSHING

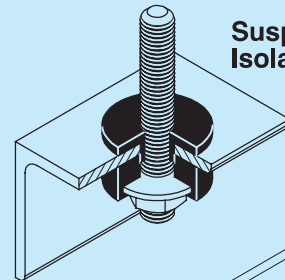
Material:
Bridge-Bearing
Neoprene



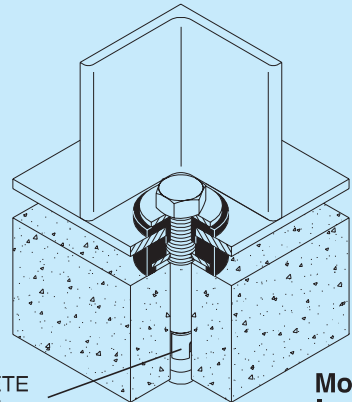
LOAD TRANSFER
STEEL PLATE
EMBEDDED IN
NEOPRENE

Mounts have straight
line deflection curves.

Suspended Isolation



**Used for
Suspended or
Floor Mounted
Equipment**



CONCRETE
ANCHOR

**Floor
Mounted
Isolation**

TYPE HMIB DIMENSIONS (inches mm)

Size	A	B	C	D	E	F	G	H	I	Rated Load (lbs) (kgs)	Rated Defl (in) (mm)
HMIB-1/4	1 25	1/4 6	1/2 13	3/8 10	1/8 3	1 1/2 38	1 25	1/2 13	3/8 10	60 27	.075 1.9
HMIB-3/8	1 1/4 32	3/8 10	5/8 16	1/2 13	3/8 10	1 3/4 45	1 1/4 32	5/8 16	1/2 13	70 32	.095 2.4
HMIB-1/2	1 5/8 41	1/2 13	3/4 19	1/2 13	1/8 3	1 3/4 45	1 1/4 32	5/8 16	1/2 13	100 45	.095 2.4
HMIB-5/8	2 51	5/8 16	7/8 22	5/8 16	3/16 5	2 51	1 1/2 38	3/4 19	1/2 13	120 54	.110 2.8