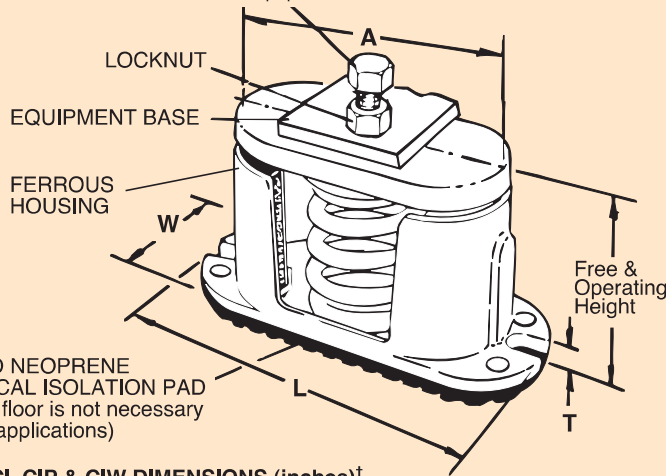


1" & 2" Deflection SINGLE and MULTIPLE SPRING MOUNTS

C TOP ACCESS ADJUSTMENT BOLT— Turn clockwise to load spring and maintain Free & Operating Height. Bolt length is suitable for 1" maximum Equipment Base thickness.



NON-SKID NEOPRENE ACOUSTICAL ISOLATION PAD (Bolting to floor is not necessary on indoor applications)

TYPE C, CI, CIP & CIW DIMENSIONS (inches)[†]

Type	Size	CI Only			L	T	W	SW	HCL	HCW	MBD	SBC	Type C Adj. Bolt	1" Free & Op. Ht.			2" Free & Op. Ht.		
		A	B	C										C	CI&CIP	CIW	C	CI&CIP	CIW
C- CI- CIP- CIW-	A	4	3/8	1	53/4	1/2	21/8	5/16	43/4	1	1/4	5	3/8 x 4	41/2	47/8	51/8	—	—	—
	B & B2	53/4	1/2	11/4	81/4	1/2	23/4	7/16	61/2	11/2	3/8	71/4	1/2 x 4	55/8	61/8	63/8	53/4	61/8	63/8
	C & C2	65/8	1/2	11/4	87/8	9/16	31/2	7/16	71/4	13/4	3/8	77/8	5/8 x 41/2	55/8	61/8	63/8	61/2	63/4	7
	D & D2	93/4	5/8	††	12	9/16	31/2	7/16	103/8	13/4	3/8	11	5/8 x 41/2	61/8	61/2	63/4	67/8	71/2	73/4
	E & E2	121/8	5/8	††	123/4	5/8	65/8	—	113/8	51/8	1/2	—	3/4 x 5	61/8	61/2	63/4	67/8	71/2	73/4
	F	16	3/4	††	16	5/8	7	—	141/2	51/8	5/8	—	Internal	63/8	63/4	7	71/8	73/4	8
	G	193/4	3/4	††	193/4	3/4	10	—	183/8	81/4	5/8	—	Adj. Only	63/8	63/4	7	71/8	73/4	8

[†] Casting Dimensions vary $\pm 1/8"$. ^{††} Hole is in center.

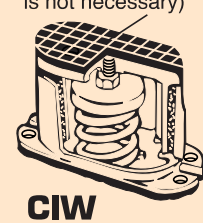
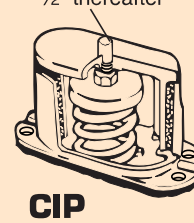
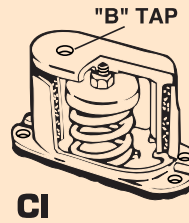
TYPE 1" DEFL. C, CI, CIP & CIW RATINGS

Type	Size	Rated Capacity (lbs)	Rated Defl (in)	Mount Constant (lbs/in)	Spring Color/Stripe
1" Defl.	A-45	45	1.60	28	Blue
	A-75	75	1.50	50	Orange
	A-125	125	1.33	94	Brown
	A-200	200	1.15	174	Black
	A-310	310	1.00	310	Yellow
	A-400	400	1.00	400	Green
	A-510	510	1.00	510	Red
	A-625	625	1.00	625	White
	B-65	65	2.10	31	Brown
	B-85	85	2.10	40	White/Black
	B-115	115	2.00	57	Silver
	B-150	150	2.00	75	Orange
	B-280	280	1.60	174	Green
	B-450	450	1.31	344	Red
B-750	750	1.12	670	White	
C- CI- CIP- CIW-	B-1000	1000	1.00	1000	Blue
	B-1250	1250	1.00	1250	Gray
	B-1650	1650	1.00	1650	Black
	C-1000	1000	1.00	1000	Black
	C-1350	1350	1.00	1350	Yellow
	C-1750	1750	1.00	1750	Black
	C-2100	2100	1.00	2100	Yellow*
	C-2385	2385	1.00	2385	Yellow**
	C-2650	2650	1.00	2650	Red*
	C-2935	2935	1.00	2935	Red**
	D-3500	3500	1.00	3500	Black*
	D-4200	4200	1.00	4200	Yellow*
	D-4770	4770	1.00	4770	Yellow**
	D-5300	5300	1.00	5300	Red*
D-5870	5870	1.00	5870	Red**	
E- F- G-	E-7000	7000	1.00	7000	Black*
	E-8400	8400	1.00	8400	Yellow*
	E-9540	9540	1.00	9540	Yellow**
	E-10600	10600	1.00	10600	Red*
	E-11740	11740	1.00	11740	Red**
	F-12600	12600	1.00	12600	Yellow*
	F-14310	14310	1.00	14310	Yellow**
	F-15900	15900	1.00	15900	Red*
	F-17610	17610	1.00	17610	Red**
	G-18900	18900	1.00	18900	Yellow*
	G-21465	21465	1.00	21465	Yellow**
	G-23850	23850	1.00	23850	Red*
	G-26415	26415	1.00	26415	Red**

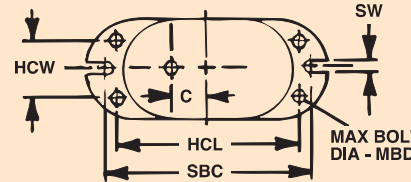
*with RED core spring **with GREEN core spring

Dowel Pin is 3/8" dia for CIP-A & 1/2" thereafter

FRICION PAD - (Bolting to Equipment is not necessary)



CI, CIP & CIW Mounts have SIDE ACCESS INTERNAL ADJUSTMENT BOLTS. Turn clockwise to load spring and maintain Free & Operating Height.



BASE PLATE DIMENSIONS FOR C, CI, CIP & CIW (Top Plate Dim. for CI Only)

CS & CSI sizes start at C-1000. A & B sizes are not manufactured. Type C dimensions below apply.

TYPE 2" DEFL. C, CI, CIP & CIW RATINGS

Type	Size	Rated Capacity (lbs)	Rated Defl (in)	Mount Constant (lbs/in)	Spring Color/Stripe	
2" Defl.	B-20	20	2.40	8	Tan	
	B-26	26	2.18	12	White/Blue	
	B-35	35	2.20	16	Purple	
	B-50	50	2.20	24	White/Red	
	B-65	65	2.10	31	Brown	
	B-85	85	2.10	40	White/Black	
	B-115	115	2.00	57	Silver	
	B-150	150	2.00	75	Orange	
	B2-210	210	2.12	99	Silver	
	B2-290	290	2.00	144	Blue	
	B2-450 [†]	450	2.00	224	Tan	
	B2-680 [†]	680	2.00	340	Gray	
	C- CI- CIP- CIW-	C2-125	125	2.50	50	Purple
		C2-170	170	2.40	70	Brown
C2-210		210	2.30	90	Red	
C2-260		260	2.20	120	White	
C2-330		330	2.00	165	Black	
C2-460		460	2.00	230	Blue	
C2-610		610	2.00	305	Green	
C2-880 [†]		880	2.00	440	Gray	
C2-1210 [†]		1210	2.00	605	Silver	
C2-1540 [†]		1540	2.00	770	Gray*	
C2-1870 [†]		1870	2.00	935	Silver*	
D-C2-2420 [†]		2420	2.00	1210	Silver*	
D-C2-3080 [†]		3080	2.00	1540	Gray*	
D-C2-3740 [†]		3740	2.00	1870	Silver*	
E- F- G-	E-C2-3520 [†]	3520	2.00	1260	Gray	
	E-C2-4840 [†]	4840	2.00	2420	Silver*	
	E-C2-6160 [†]	6160	2.00	3080	Gray*	
	E-C2-7480 [†]	7480	2.00	3740	Silver*	

All springs without "†" have additional travel to solid equal to 50% of the rated deflection.

*with RED core spring

[†]Published ratings allow minimum 25% additional travel to solid. For a full 50% specified minimum use the following ratings:

Size	Derated Capacity (lbs)	Defl (in)	Size	Derated Capacity (lbs)	Defl (in)
B2-450	410	1.83	D-C2-3080	2570	1.67
B2-680	565	1.66	D-C2-3740	3120	1.67
C2-880	800	1.82	E-C2-3520	3200	1.82
C2-1210	1010	1.67	E-C2-4840	4040	1.67
C2-1540	1285	1.67	E-C2-6160	5145	1.67
C2-1870	1560	1.67	E-C2-7480	6245	1.67
D-C2-2420	2020	1.67			