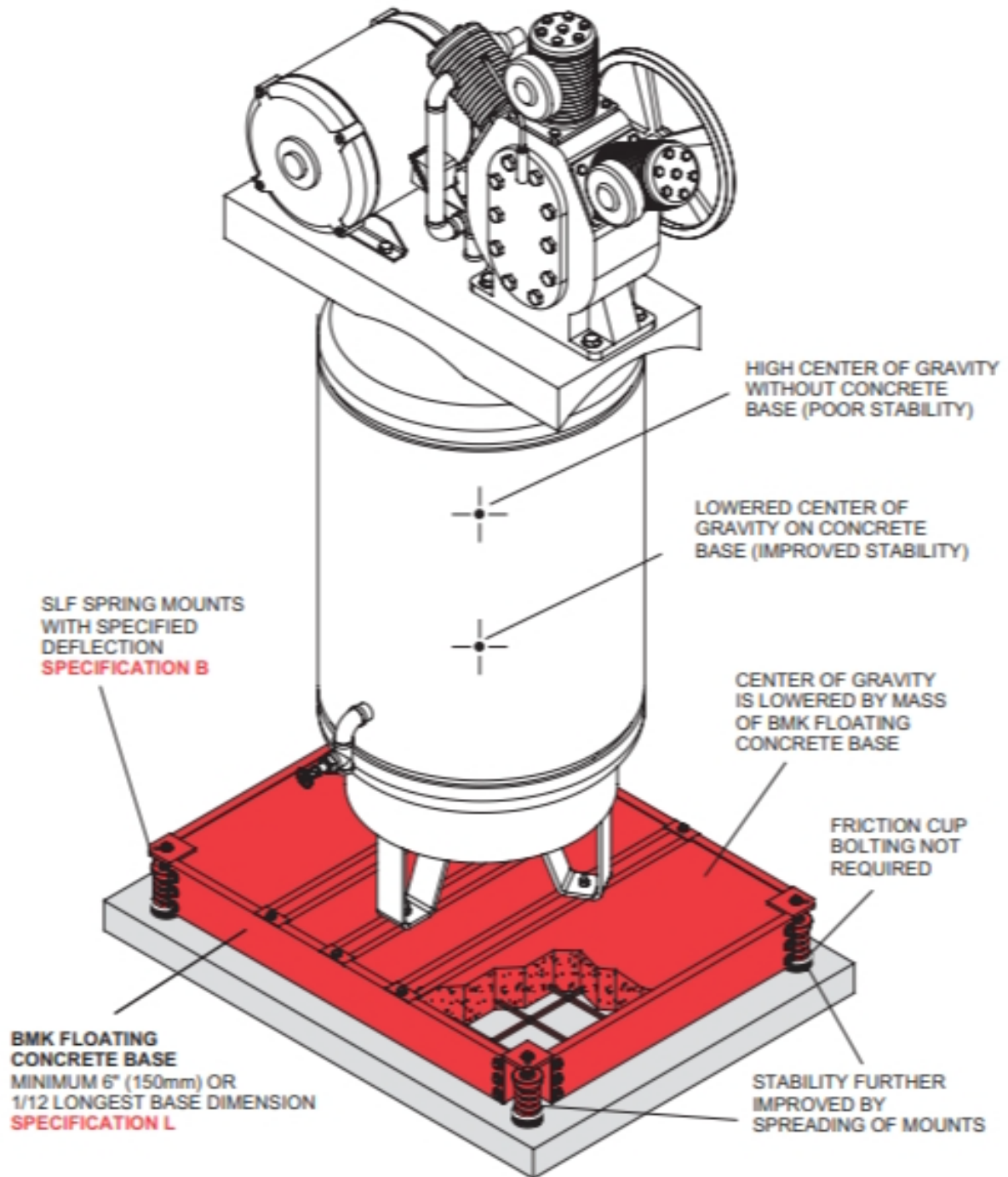


VERTICAL TANK TYPE COMPRESSOR directly mounted on BMK Concrete Filled Base and 1" deflection SLF Spring Mounts



HORIZONTAL TANK TYPE COMPRESSOR directly mounted on high deflection SLF Spring Mounts

