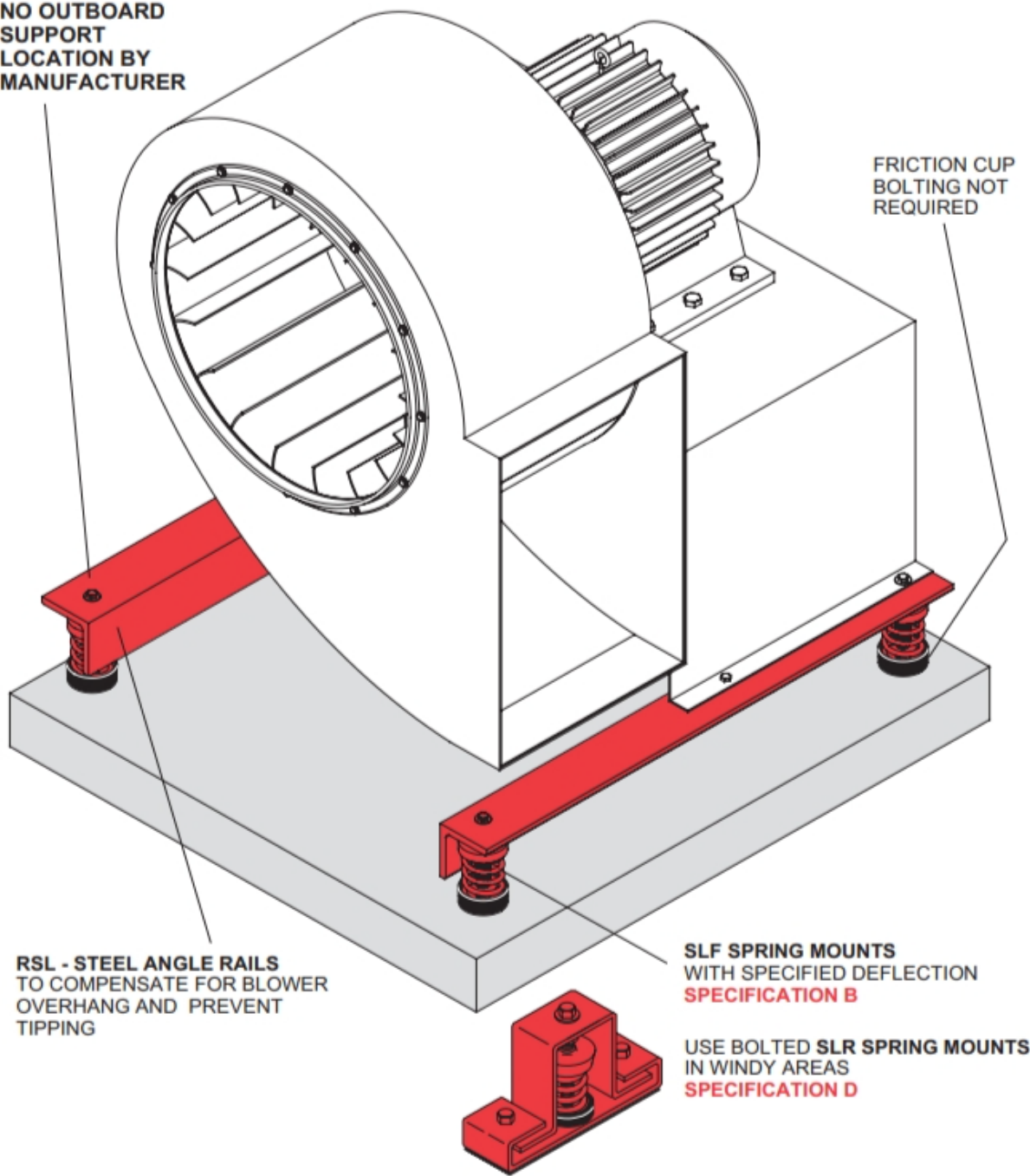
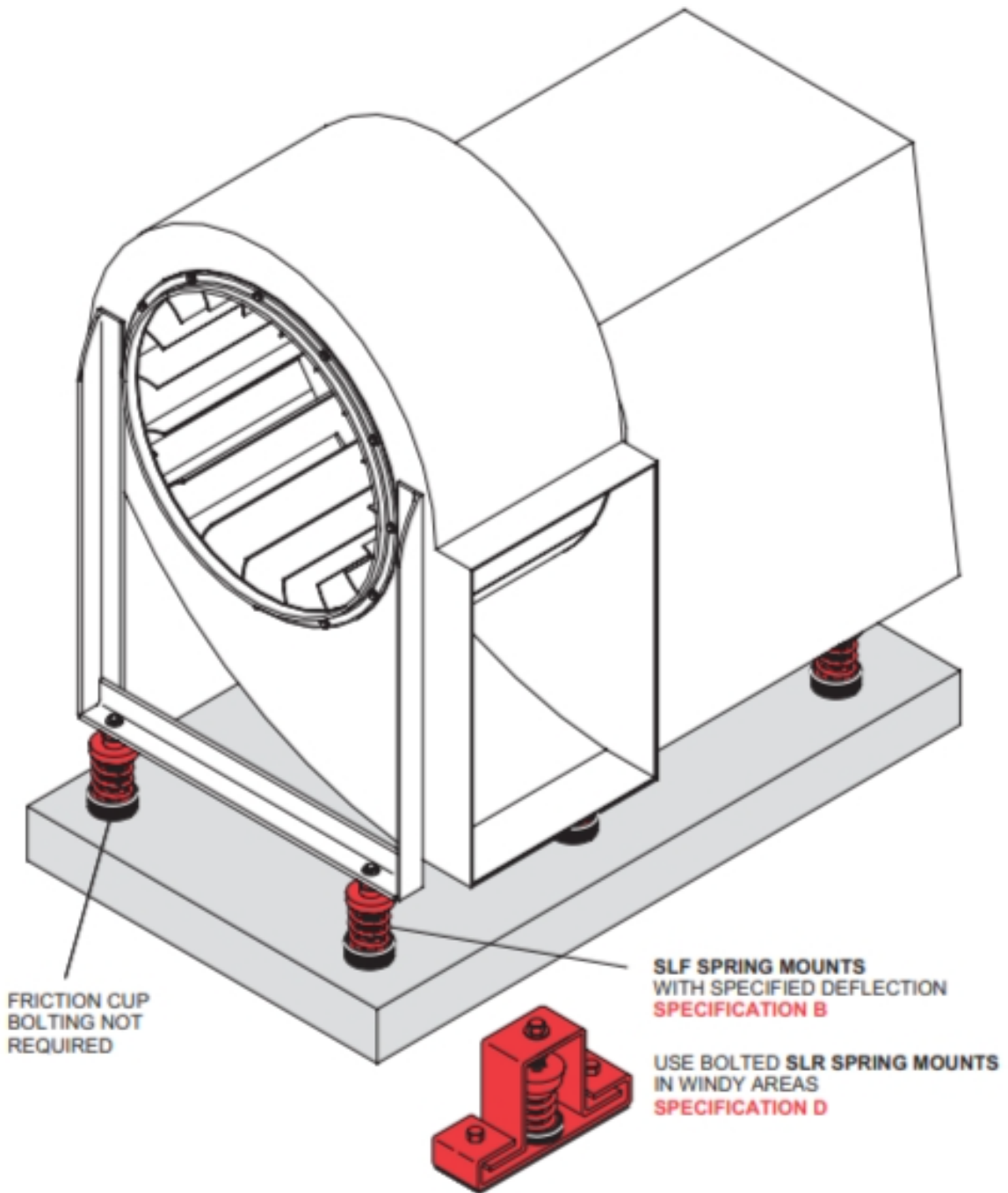


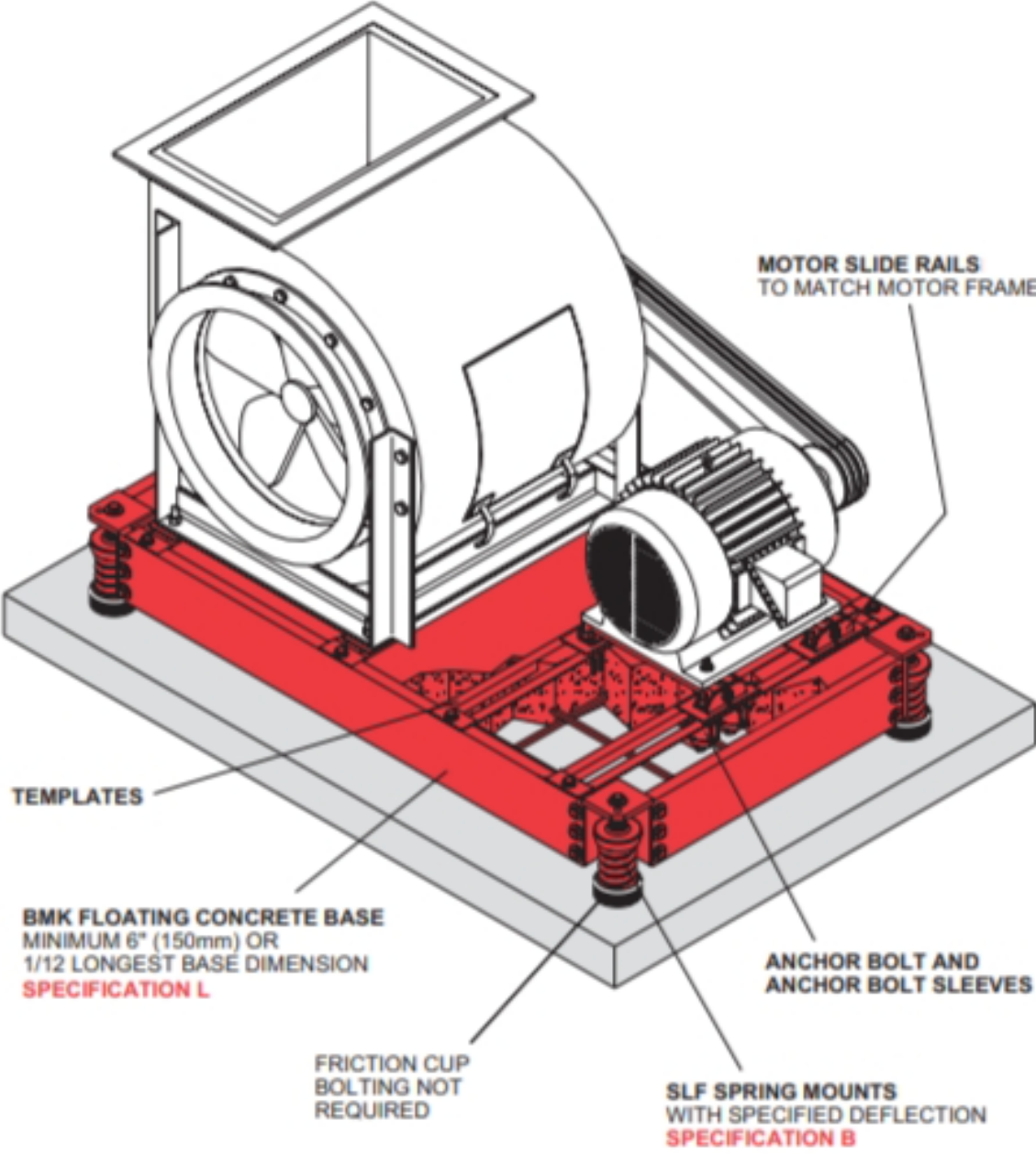
DIRECT DRIVE BLOWER directly mounted on RSL Rails with 1" deflection
SLF Spring Mounts for typical indoor or wind protected installation. (See note
for SLR Isolators in windy areas)



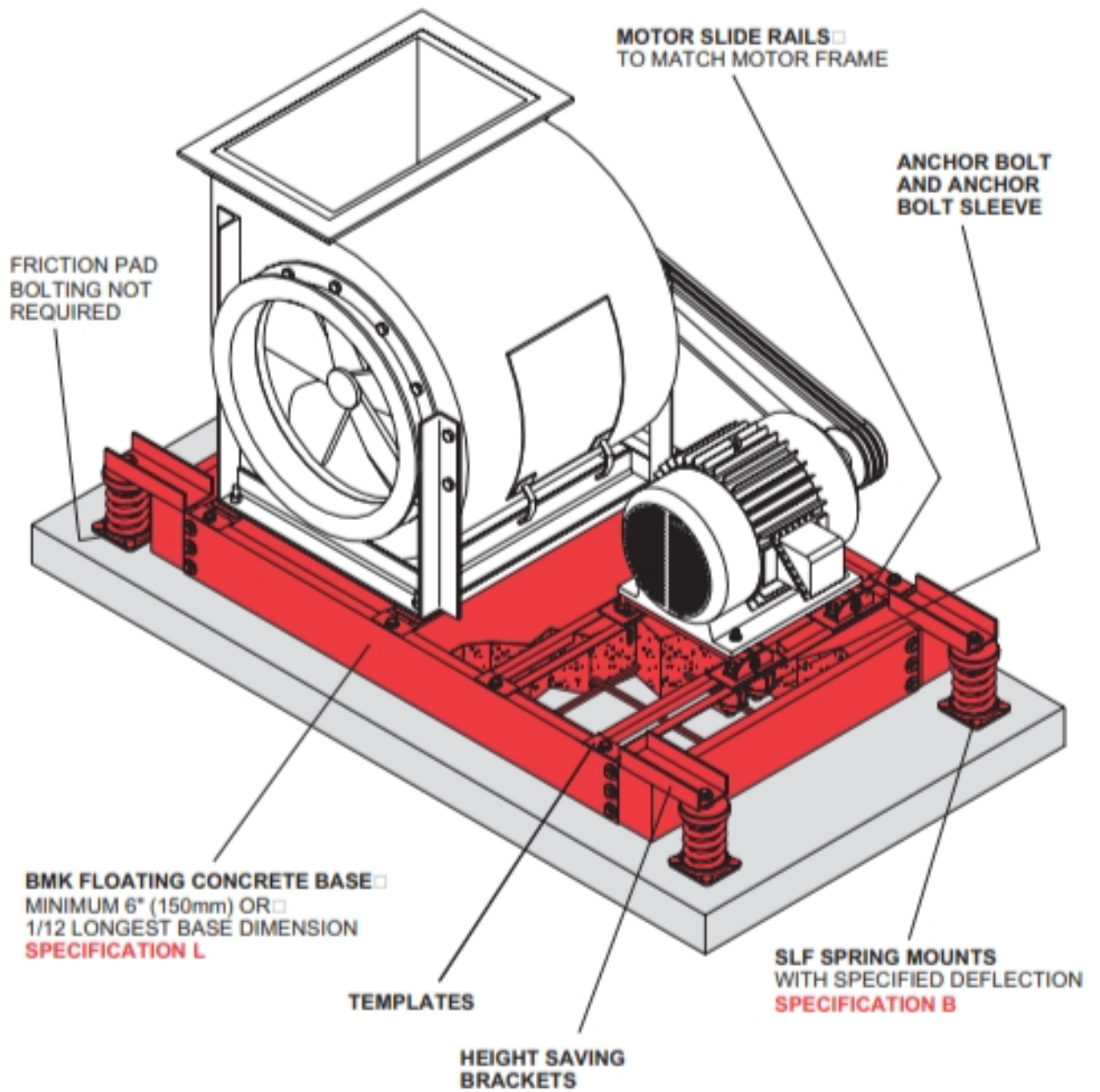
UTILITY BLOWER directly mounted on 1" deflection SLF Spring Mounts for typical indoor or wind protected installations. (See note for SLR Isolators in windy areas)



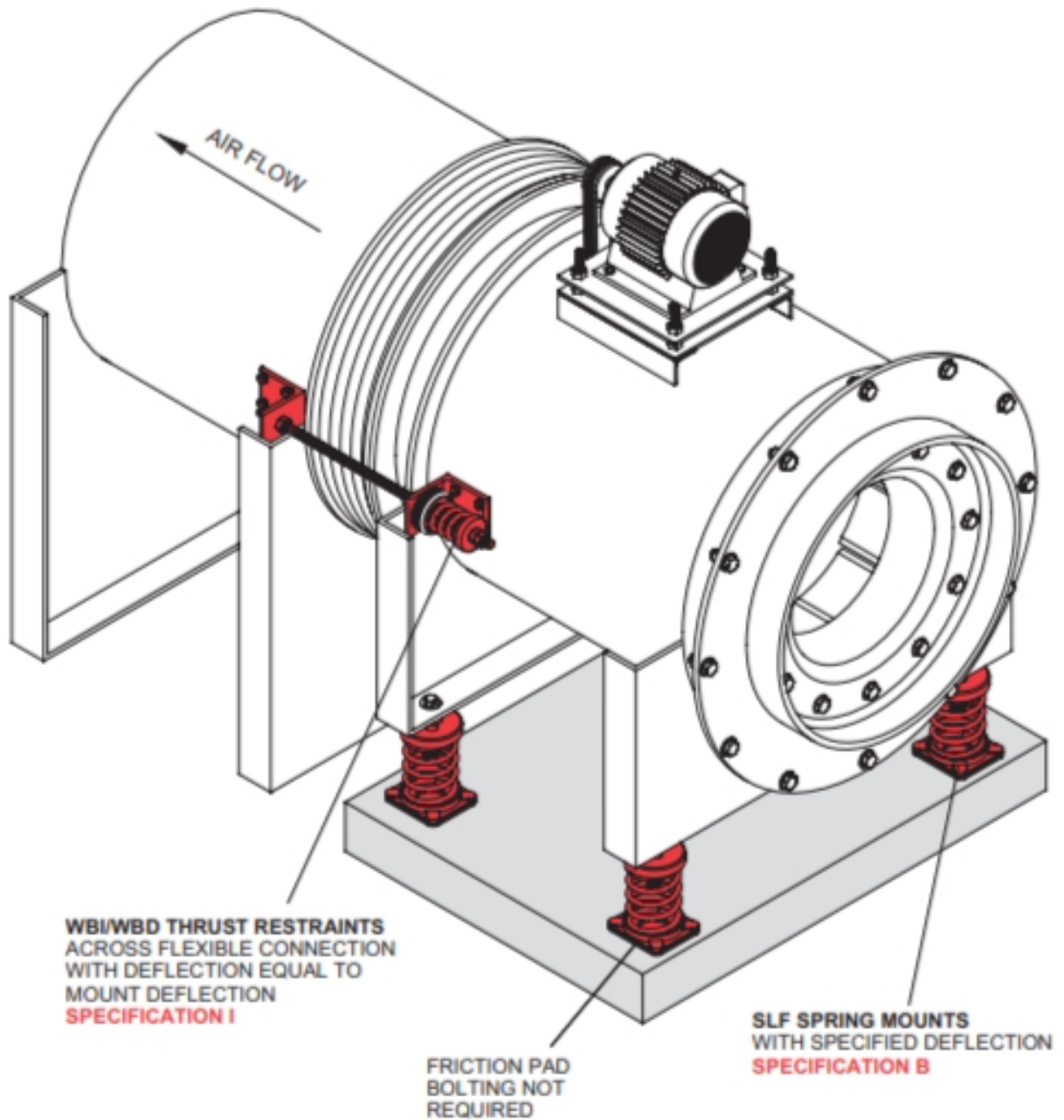
CENTRIFUGAL BLOWER on concrete filled BMK Basewith built in corners and 1" deflection SLF Spring Mounts



CENTRIFUGAL BLOWER on concrete filled BMK Base with height saving brackets and high deflection SLF Spring Mounts



FLOOR MOUNTED AXIAL BLOWER with WBI/WBD Thrust Restraints directly mounted on SLF Spring Mounts. Use height saving brackets with springs over 1 1/2" deflection



AXIAL BLOWER with WBI/WBD Thrust Restraints suspended from 30N Hangers

