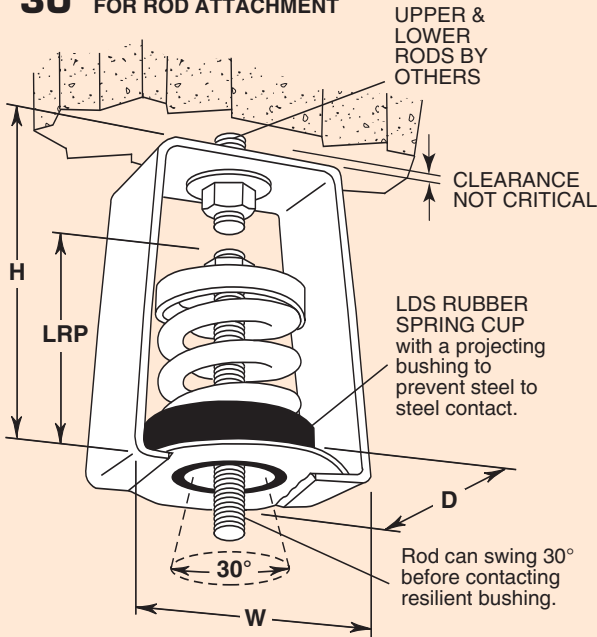
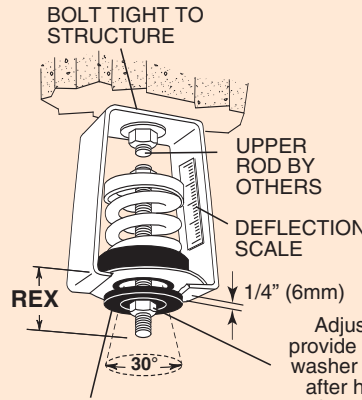


## 1"(25mm) DEFLECTION 30° SWING – X, A, B, C, D & F SPRING HANGERS

### 30 FOR ROD ATTACHMENT

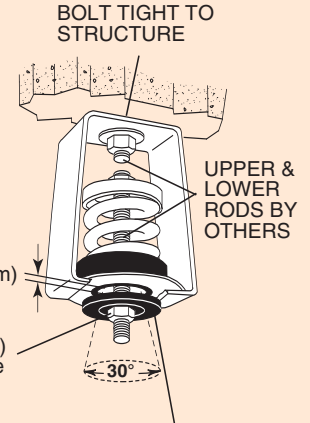


### PC30 TYPE 30 PRECOMPRESSED & SEISMIC RESTRAINT

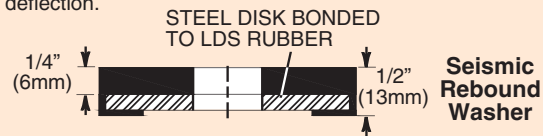


Seismic Rebound Steel and Bonded LDS Rubber Washer holds precompression and limits upward seismic motion. Hangers are precompressed to rated load or assigned load as required. Scale indicates deflection.

### RW30 TYPE 30 SEISMIC RESTRAINT



Seismic Rebound Steel and Bonded LDS Rubber Washer limits upward seismic motion.



## Ratings & Dimensions for 1"(25mm) Deflection Spring Hangers (inches mm)

Type	Size	Rated Capacity (lbs)(kg)	Rated Defl. <sup>†</sup> (in)(mm)	Spring Constant (lbs/in)(kg/cm)	Spring Color	Spring Only			Lower Rod Penetration LRP	Max. Rod Dia. MRD	Rod Extension REX	Vertical 'G' Ratings			
						OD	Free Height	D				H	W	Tension	Compression
30-	X-12	12 5	1.25 32	10 0.18	Orange							10.0*	10.0*		
	X-23	23 10	1.30 33	18 0.30	Brown							10.0*	10.0*		
	X-33	33 15	1.10 28	30 0.54	Copper							10.0*	10.0*		
	X-54	54 24	1.20 30	45 0.80	White							10.0*	10.0*		
	X-76	76 34	1.02 25	73 1.36	Black	11/2	21/2	21/2	41/4	27/8	31/2	3/8	13/4	10.0*	10.0*
	X-113	113 51	1.00 25	113 2.04	Brass	38	64	64	108	73	89	10	44	10.0*	7.6
	X-130	130 59	1.00 25	130 2.36	Purple									10.0*	6.6
	X-175	175 79	1.00 25	175 3.16	Silver									10.0*	4.9
X-210	210 95	1.00 25	210 3.80	Blue									9.0	4.1	
PC30-	A-12	12 5	1.00 25	12 0.20	Copper	13/4	17/8	23/4	53/4	31/4	31/2	5/8	21/4	10.0*	10.0*
	A-18	18 8	1.00 25	18 0.32	Gray	44	48	70	146	83	89	16	57	10.0*	10.0*
	A-25	25 11	1.00 25	25 0.44	Orange									10.0*	10.0
	A-41	41 19	1.18 30	35 0.63	Pink									10.0*	10.0*
	A-56	56 25	1.14 30	49 0.83	Black	13/4	21/4	23/4	53/4	31/4	4	5/8	21/4	10.0*	10.0*
RW30-	A-73	73 33	1.06 27	69 1.22	Tan	44	57	70	146	83	102	16	57	10.0*	10.0*
	A-95	95 43	1.01 26	94 1.65	Green									10.0*	10.0*
	B-138	138 63	1.32 34	105 1.85	White									10.0*	10.0*
	B-222	222 101	1.16 29	191 3.48	Blue									10.0*	6.6
	B-278	278 126	1.09 28	255 4.50	Purple	23/8	27/8	4	71/4	43/4	41/4	5/8	21/4	10.0*	5.2
RW30-	B-336	336 152	1.00 25	336 6.08	Silver	60	73	102	184	121	108	16	57	10.0*	4.3
	B-410	410 186	1.07 27	385 6.89	Black									10.0*	3.6
	B-540	540 245	1.00 25	540 9.80	Yellow									10.0*	2.7
	C-630	630 286	1.13 29	558 9.86	Gray									10.0*	5.4
	C-800	800 363	1.00 25	800 14.52	Orange	27/8	35/8	4	83/4	51/4	5	3/4	21/4	7.9	4.0
RW30-	C-1010	1010 458	1.10 28	920 16.36	Green	73	92	102	222	132	127	19	70	6.3	3.1
	C-1265	1265 574	1.00 25	1265 22.96	Red									5.0	2.5
	D-1575	1575 714	1.23 31	1280 23.03	Pink	33/4	47/8	43/4	121/2	53/4	7	7/8	21/2	10.0*	6.0
	D-2150	2150 975	1.03 26	2095 37.50	Purple	95	124	121	318	146	178	22	69	9.0	4.4
	F-2760	2760 1252	1.00 25	2760 50.08	Silver	41/2	51/8	6	12	61/4	7	7/8	21/2	5.0	4.3
						114	130	152	305	159	178	22	64		

<sup>†</sup>All springs have additional travel to solid equal to 50% of Rated Deflection.

\*10.0 indicates a rating of 10 G's or greater