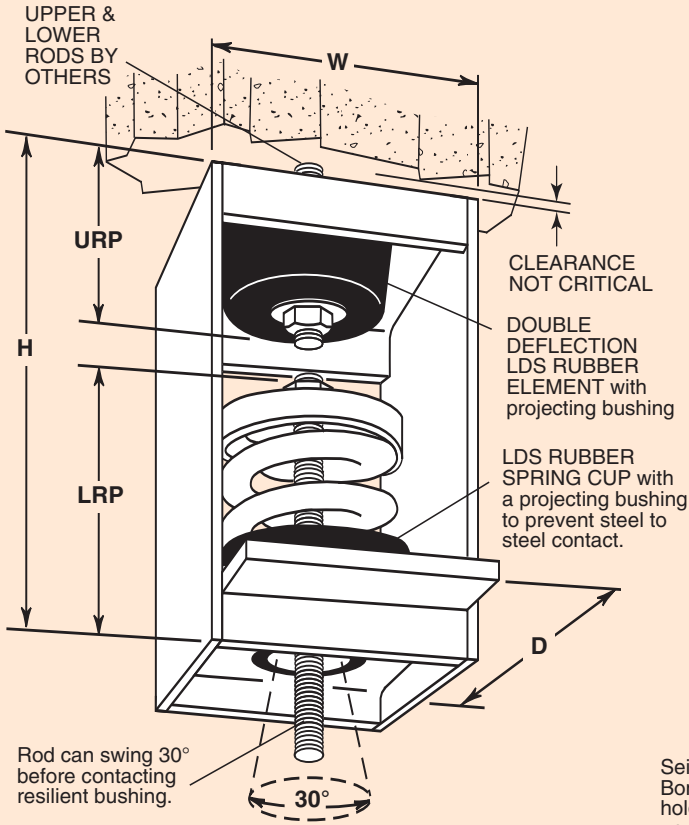


2"(51mm), 3"(76mm), 4"(102mm) & 5"(127mm) DEFLECTION 30° SWING - 100 SERIES SPRING and DOUBLE DEFLECTION LDS HANGERS

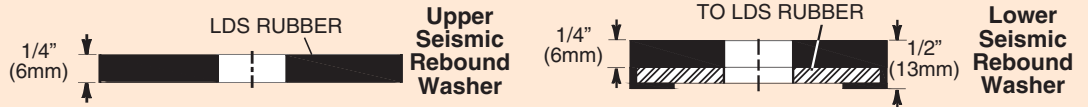
30N-100 FOR ROD ATTACHMENT



NOTE –

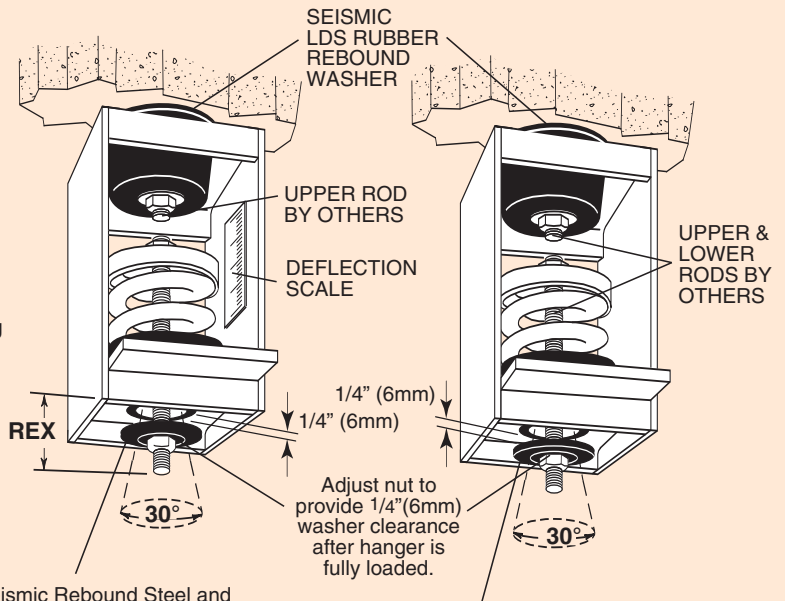
Illustration shows typical construction. Components vary depending on capacity.

SRD is the Smallest (Minimum) Rod Diameter which will maintain spring stability.



PC30N-100 TYPE 30N-100 PRECOMPRESSED & SEISMIC RESTRAINT

Install with hanger box snug to 1/4" (6mm) Seismic LDS Rubber Washer, so washer is tight to overhead surface. Upper hanger element deflects under load, leaving space on top. Washer cushions upward seismic travel.



Seismic Rebound Steel and Bonded LDS Rubber Washer holds precompression and limits upward seismic motion. Hangers are precompressed to rated load or assigned load as required. Scale indicates deflection.

Seismic Rebound Steel and Bonded LDS Rubber Washer limits upward seismic motion.

Ratings & Dimensions for 2"(51mm) Deflection Spring and Double Deflection LDS Hangers (inches mm)

Type	Size	Rated Capacity (lbs) (kg)	Rated Defl. [†] (in)(mm)	Spring Constant ^{††} (lbs/in) (kg/mm)	Average Defl. LDS-Rubber	Spring Color/Stripe	Spring Only			LRP- Lower Rod Penetration				REX- Rod Extension		Vertical G Ratings			
							OD	Free Height	D	H	W	LRP	MRD	SRD	REX	URP	Tension	pression	
2" 51mm Defl. 30N-	101	125 57	2.90 74	50 0.77		Purple	33/4 95	53/4 146									10.0*	10.0*	
	102	200 91	2.90 74	80 1.23		Brown	33/4 95	53/4 146									10.0*	10.0*	
	103	310 141	2.90 74	125 1.91		Pink	33/4 95	53/4 146									10.0*	10.0*	
	104	500 227	2.90 74	200 3.07	0.40	Green	33/4 95	53/4 146	5	131/2	6	71/2	7/8	5/8	41/2	31/4	10.0*	10.0*	
	105	740 336	2.80 71	310 4.73	10	Red	33/4 95	53/4 146	127	343	152	191	22	16	114	83	10.0*	7.2	
	106	1050 476	2.50 64	500 7.44		White	33/4 95	57/8 149										8.0	5.1
	107	1400 635	2.40 61	700 10.41		Blue	33/4 95	57/8 149										6.0	3.8
PC30N-	108	1660 753	2.45 62	810 12.15	0.40	Silver	41/2 114	63/4 171	6	153/8	71/4	11	7/8	5/8	5	31/4	6.8	5.3	
	109	2250 1021	2.40 61	1125 16.74	10	Orange	41/2 114	71/2 191	152	391	184	279	22	16	127	83	5.0	3.9	
RW30N-	110	3000 1361	2.40 61	1500 22.31	0.40	Gray	5	127	71/2 191	6	16	71/4	111/2	7/8	3/4	5	31/4	4.0	2.9
	111	4000 1814	2.40 61	2000 29.74	10	Tan	5	127	71/2 191	152	406	184	292	22	19	127	83	3.0	2.2
	112	5300 2404	2.40 61	2665 39.41	0.40	Black	5 1/2 140	81/2 216	7	17	91/4	121/4	11/8	7/8	51/2	31/4	2.7	2.4	
	113	7100 3221	2.40 61	3550 52.80	10	Yellow	6	152	83/4 222	178	432	235	311	29	22	140	83	2.0	1.8
	114	9300 4218	2.40 61	4650 69.15	0.40	Blue/Or	63/4 171	10	254	8	22	10	151/2	11/8	1	51/2	61/2	4.1	1.3
115	12600 5715	2.40 61	6300 93.69	10	Blue/Rd	63/4 171	10	254	203	559	254	394	29	25	140	165	3.0	0.95	

All springs have additional travel to solid equal to 50% of Rated Deflection. LDS elements have straight line deflection curves.

[†]includes double deflection LDS element. ^{††}applies to spring only. *10.0 indicates a rating of 10 G's or greater.

Ratings & Dimensions for 3”(76mm), 4”(102mm) & 5”(127mm) Deflection Spring and Double Deflection LDS Hangers (inches mm)

Type	Size	Rated Capacity (lbs) (kg)	Rated Defl. [†] (in)(mm)	Spring Constant ^{††} (lbs/in) (kg/mm)	Average Defl LDS-Rubber	Spring Color/Stripe	Spring Only		LRP- Lower Rod Penetration MRD- Max. Rod Diameter SRD- Min. Rod Diameter				REX- Rod Extension URP- Upper Rod Extension				Vertical G Ratings							
							OD	Free Height	D	H	W	LRP	MRD	SRD	REX	URP	Tension	pression						
See 3” 76mm Low Capacity Hangers Page 12																								
3” 76mm Defl. 30N- PC30N- RW30N-	126	195	88	3.65	93	60	0.95	0.40	Purple	33/4	95	63/8	162	5	131/2	6	8	7/8	5/8	41/2	31/4	10.0*	10.0*	
	127	280	127	3.65	93	85	1.37	10	Brown	33/4	95	61/2	165	127	343	152	203	22	16	114	83	10.0*	10.0*	
	128	390	177	3.65	93	120	1.90		Orange	4	102	61/2	165									10.0*	10.0*	
	129	520	236	3.65	93	160	2.54		Green	4	102	7	178	5	131/2	6	81/2	5/8	5/8	41/2	31/4	10.0*	10.0*	
	130	710	322	3.65	93	220	3.46		Red	41/2	114	71/4	184	6	153/8	71/4	101/4	7/8	5/8	41/2	31/4	10.0*	10.0*	
	131	940	426	3.65	93	290	4.58	0.40	10	White	41/2	114	71/2	191	152	391	184	260	22	16	114	83	10.0*	9.3
	132	1280	581	3.65	93	395	6.25		Blue	5	127	77/8	200	6	153/8	71/4	111/4	7/8	5/8	41/2	31/4	8.0	6.8	
	133	1770	803	3.65	93	545	8.63	0.40	10	Black	51/2	140	91/4	235	71/2	171/2	81/4	121/4	7/8	3/4	41/2	31/4	5.6	5.6
	134	2490	1129	3.65	93	765	2.14	10	Yellow	51/2	140	91/4	235	191	445	210	311	22	19	114	83	4.0	4.0	
	135	3300	1497	3.65	93	1000	16.10		Gray	6	152	91/2	241									3.0	3.0	
	136	4500	2041	3.65	93	1370	21.95	0.40	10	Blue/Brown	63/4	171	93/4	235	8	20	9	14	7/8	7/8	5	31/2	7.0	2.1
	137	6200	2818	3.65	93	1900	30.24	0.40	10	Blue/Or	73/4	197	107/8	276	9	24	11	16	11/8	1	51/2	61/2	2.7	1.5
138	8300	3765	3.65	93	2560	40.48	0.40	10	Blue/Rd	73/4	197	11	279	229	610	279	406	29	25	140	165	2.0	1.1	
139	11400	5171	3.65	93	3500	55.60	0.40	10	Blue/Wt	73/4	197	121/4	311	9	251/2	11	171/2	11/8	1	51/2	61/2	3.0	0.65	
See 4” 102mm Low Capacity Hangers Page 12																								
4” 102mm Defl. 30N- PC30N- RW30N-	150	240	109	4.78	121	55	0.16		Purple	5	127	83/8	213									10.0*	10.0*	
	151	330	150	4.78	121	75	1.24	0.40	Brown	5	127	81/2	213	6	153/8	71/4	11	7/8	5/8	5	31/4	10.0*	10.0*	
	152	420	191	4.78	121	95	1.58	10	Orange	5	127	83/8	213	152	391	184	279	22	16	127	83	10.0*	10.0*	
	153	530	240	4.78	121	120	1.98		Green	5	127	83/8	213									10.0*	10.0*	
	154	680	308	4.78	121	155	2.55		Red	6	152	87/8	225									10.0*	10.0*	
	155	880	399	4.78	121	200	3.30	0.40	10	White	6	152	91/8	232	71/2	171/2	81/4	131/4	7/8	5/8	5	31/4	10.0*	10.0*
	156	1120	508	4.78	121	255	4.20	10	Blue	6	152	97/8	251	181	445	210	337	22	16	127	83	8.9	8.9	
	157	1420	644	4.78	121	325	5.32		Black	6	152	10	254	6	152	10	254						7.0	7.0
	158	1840	835	4.78	121	420	5.32	0.40	10	Yellow	63/4	171	103/8	264	8	20	9	141/4	7/8	5/8	5	31/4	10.0*	5.2
	159	2370	1075	4.78	121	540	6.90	10	Gray	63/4	171	111/8	283	203	508	229	362	22	16	127	83	10.0*	4.0	
	160	3000	1361	4.78	121	695	11.25	0.40	10	Blue/Br	73/4	197	107/8	276	9	24	11	17	11/8	3/4	51/2	61/2	6.5	3.0
	161	3900	1769	4.78	121	895	14.62	10	Blue/Rd	73/4	197	113/8	289	229	610	279	432	29	19	140	165	5.0	2.3	
162	5100	2313	4.78	121	1155	19.52	0.40	10	Blue/Or	83/4	222	111/2	292	91/2	261/2	121/4	19	11/8	1	61/2	61/2	6.6	1.3	
163	6500	2948	4.78	121	1485	24.38	10	Blue/Wh	83/4	222	131/4	337	241	673	311	483	29	25	165	165	5.2	1.1		
164	8400	3810	4.78	121	1910	31.49	10	Blue/Sil	83/4	222	133/8	340									4.0	.81		
165	10800	4899	4.78	121	2455	40.49	0.40	10	Blue/Gy	93/8	238	141/8	359	10	28	121/4	21	11/8	1	61/2	61/2	4.0	0.6	
5” 127mm Defl. 30N- PC30N- RW30N-	174	270	122	5.71	145	50	0.84		Purple	6	152	97/8	251									10.0*	10.0*	
	175	320	145	5.71	145	60	1.00	0.40	Brown	6	152	101/16	256	7	16	91/4	121/2	3/4	5/8	5	31/4	10.0*	10.0*	
	176	370	168	5.71	145	70	1.16	10	Orange	6	152	10	254	178	406	235	318	19	16	127	83	10.0*	9.4	
	177	460	209	5.78	147	85	1.42		Green	6	152	101/2	267									10.0*	7.6	
	178	560	254	5.78	147	105	1.73		Red	6	152	103/4	273									10.0*	6.2	
	179	670	304	5.78	147	125	2.07		White	63/4	171	111/16	281									10.0*	10.0*	
	180	830	376	5.78	147	155	2.56	0.40	10	Blue	63/4	171	113/8	289	8	19	10	15	3/4	5/8	51/2	31/2	10.0*	10.0*
	181	1000	454	5.78	147	185	3.09	10	Black	63/4	171	111/8	283	203	483	254	381	19	16	140	89	10.0*	9.1	
	182	1240	562	5.77	147	230	3.82		Yellow	63/4	171	113/8	289									10.0*	7.3	
	183	1500	680	5.77	147	280	4.63		Gray	73/4	197	127/16	316									10.0*	6.0	
	184	1830	830	5.77	147	340	5.65	0.40	10	Pink	73/4	197	117/8	302	9	21	111/4	17	7/8	3/4	6	31/2	10.0*	4.9
	185	2230	1012	5.77	147	415	6.88	10	Silver	73/4	197	12	305	229	533	286	432	22	19	152	89	10.0*	4.0	
186	2710	1229	5.77	147	505	8.36		Tan	73/4	197	123/4	324									9.0	3.3		
187	3300	1497	5.77	147	615	10.18	0.40	10	Blue/Or	83/4	222	123/4	324	91/2	261/2	121/4	19	7/8	7/8	6	61/2	10.0*	2.1	
188	4100	1860	5.77	147	755	12.65	10	Blue/Rd	83/4	222	133/8	340	241	673	311	483	22	22	152	165	9.6	1.7		
189	4900	2223	5.77	147	915	15.12		Blue/Wt	91/16	230	137/16	341									8.0	1.4		
190	6000	1852	5.77	147	1120	18.52	0.40	10	Blue/Yel	91/2	241	145/8	371	10	28	121/4	21	11/8	1	61/2	61/2	7.3	1.1	
191	7300	2252	5.77	147	1365	22.52	10	Blue/Sil	91/2	241	153/16	386	254	711	311	533	291	29	165	165	6.0	.85		
192	9000	2777	5.77	147	1670	27.77	0.40	10	Blue/Gy	101/4	260	155/8	397	101/2	30	131/4	23	11/8	1	61/2	61/2	3.7	0.6	
193	11000	3395	5.77	147	2040	33.95	10	Blue/Tn	101/4	260	16	406	267	762	337	584	29	25	165	165	3.0	0.5		

All springs have additional travel to solid equal to 50% of Rated Deflection. LDS elements have straight line deflection curves. [†]includes double deflection LDS element. ^{††}applies to spring only. *10.0 indicates a rating of 10 G's or greater.