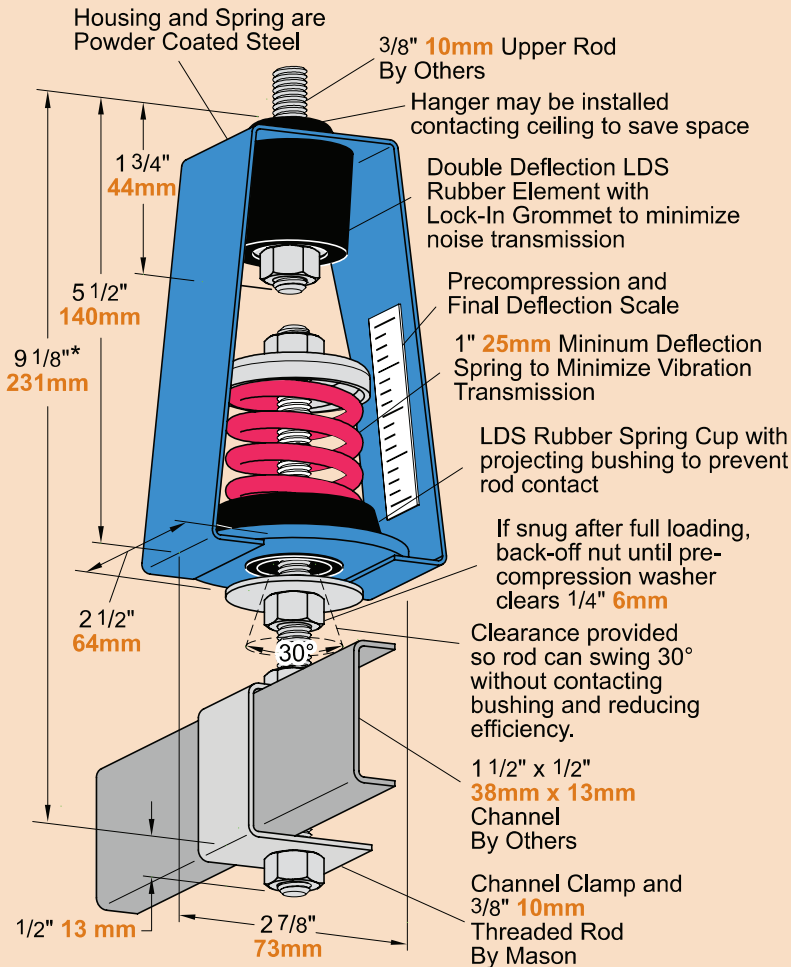


30NCC

Precompressed 30N Hanger with Ceiling Channel Clamp

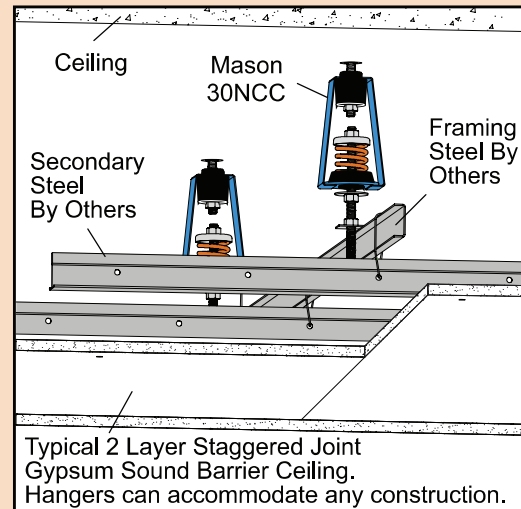
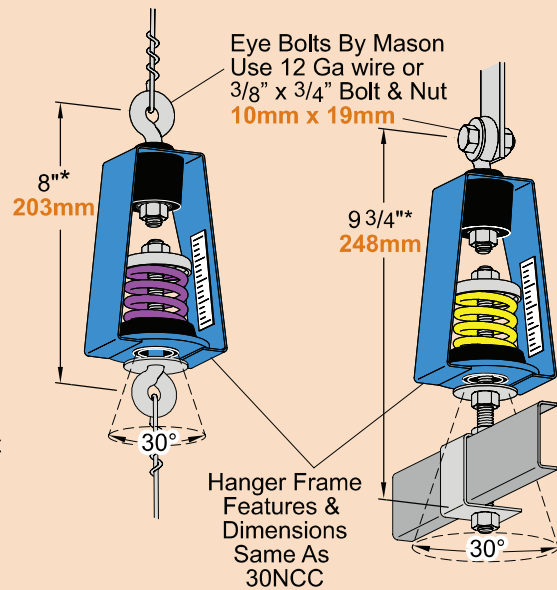


W30N

Precompressed 30N Hanger with Eye Bolts

W30NCC

Precompressed 30N Hanger with Top Eye Bolt and Ceiling Channel Clamp



* Hangers are precompressed to 70% of assigned load. When full load is applied, gap opens between pre-compression washer and housing. These dimensions are overall heights when fully loaded. For longer lengths, consult factory.

LDS stands for Low Dynamic Stiffness AASHTO Bridge Bearing Natural Rubber to minimize noise and vibration transmission. Maximum Dynamic Stiffness is 1.4.

AASHTO BRIDGE BEARING NATURAL RUBBER SPECIFICATIONS

ORIGINAL PHYSICAL PROPERTIES			TESTED FOR AGING			COMPRES- SION SET	LONG TERM CREEP
Duro- meter Shore A	Tensile Strength (min)	Elongat. at Break (min)	OVEN AGING(70hrs/158°F) ASTM D-573	OZONE ASTM D-1149	ASTM D-395		
40±5	2000 psi	500%	+10%	-25%	-25%	25% (max)	5% (max)
50±5	2250 psi	450%	+10%	-25%	-25%	25% (max)	5% (max)
60±5	2250 psi	400%	+10%	-25%	-25%	25% (max)	5% (max)
70±5	2250 psi	300%	+10%	-25%	-25%	25% (max)	5% (max)

SPECIFICATION

Ceiling Hangers shall be fail safe and include a steel frame containing an AASHTO Bridge Bearing Quality LDS Rubber Element at the top and a nominal 1" deflection steel spring at the bottom. Springs shall be seated in an LDS cup with a rubber bushing extending through the box to prevent metal to metal contact between the steel suspension rod and the frame.

RATINGS Standard sizes shown. For heavier capacities, consult factory.

Type	Size	Rated Capacity lbs	Rated Capacity kg	Rated Defl. [†] in	Rated Defl. [†] mm	Spring Constant ^{††} lbs/in	Spring Constant ^{††} kg/mm	LDS Defl. in	LDS Defl. mm	Spring Color/Stripe
30NCC-	12	12	5	1.45	37	10	0.18			Orange
	23	23	10	1.50	38	18	0.30			Brown
	33	33	15	1.30	33	30	0.54			Red
W30N-	54	54	24	1.40	36	45	0.80			White
	76	76	34	1.22	31	73	1.36	0.20	5	Black
W30NCC-	113	113	51	1.20	30	113	2.04			Yellow
	130	130	59	1.20	30	130	2.36			Purple
	175	175	79	1.20	30	175	3.16			Silver
	210	210	95	1.20	30	210	3.80			Blue

[†]includes double deflection LDS element. ^{††}applies to spring only. All springs have additional travel to solid equal to 50% of Rated Deflection.

Dynamic Stiffness of Cup and Element shall not exceed 1.4. The ID of the bushing must allow a 30° swing from side to side before rod contact. Springs shall be factory precompressed to 70% of the assigned deflection. Hangers shall be Mason Industries 30NCC for 1 1/2 x 1/2 channel, W30N for wire, or W30NCC for wire and channel. Submittals shall confirm AASHTO Quality and Dynamic Stiffness in addition to deflection.